



# Family <sup>1-phase</sup> 50Hz

Ideal for removal of residual water down to 1mm

Original residue dewatering pump capable of pumping down to floor level. Even the smallest puddle can be pumped dry. Ideal for complete drainage of flat surfaces where a sump is not available.





## Top Discharge

Pumped water flows between the outer cover and the motor, cooling the motor (forced motor cooling).

## Special weather-proof resin

Special resin (AAS - acrylonitrile acrylic styrene) resistant to sunlight protects the pump from corrosion.

## Automatic motor protection device

If something causes the Motor windings to abnormally heat or an overcurrent flow, the built-in motor protection device automatically detects this to shut off circuits.

## Mechanical seal

With this mechanical seal, seal faces are located inside the oil chamber and are lubricated and cooled by lubricating oil.

## Attachable 15mm hose coupling

In addition to the 25mm hose coupling, it also comes with an easy-to-attach 15mm hose coupling as a standard accessory.



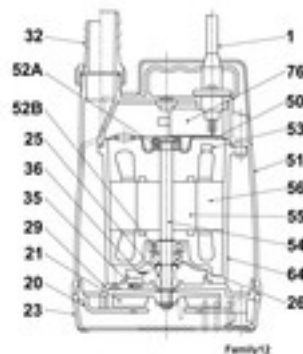
## Residue adapter

The residue adapter is a standard accessory that converts the Family into a real residue water pump.



## Components:

001 Cable	050 Motor cover
020 Pump casing	051 Head cover
021 Impeller	052A Upper bearing
023 Strainer	052B Lower bearing
025 Mechanical seal	053 Motor protector
026 Oil sealing	054 Shaft
029 Oil casing	055 Rotor
032 Hose coupling	056 Stator
035 Oil plug	064 Motor casing
036 Lubricant	076 Condensor

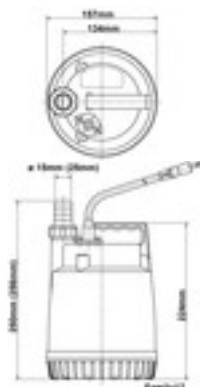
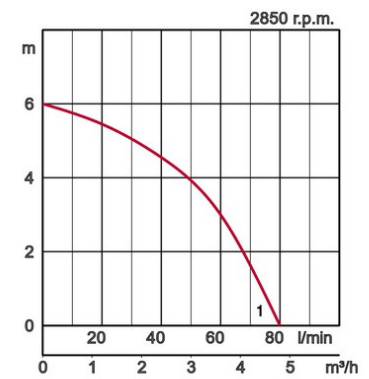


**Specifications:**

Model	Colour code curve	Bore mm	Motor output kW	Rated current A	Head max. m	Capacity max. l/min	Dry weight kg w/o cable	Max. solid handling ø mm	Pressure resistance max. m	Cable length m
Family-12	● 1	25	0,1	1,3	6,0	80	3,4	6	5	10



ø Discharge bore mm		25	
Pumping Fluid	Type of Fluid	Clear Water	
	Temperature	0-40°C	
Pump	Components	Impeller	Vortex impeller
		Shaft Seal	Mechanical seal
		Bearings	Shielded ball bearings
	Material	Impeller	Glass fibre reinforced plastic
		Casing	AAS
Shaft Seal	Silicon carbide in oil bath		
Motor	Type, Poles		Induction motor, 2 poles, IP68
	Motor Protector (built-in)		Circle thermal cut-out
	Phase / Voltage		Single phase 230V / 50Hz
	Insulation		Insulation class E
	Lubrication		Turbine oil (ISO VG15)
	Material	Casing	AAS
		Shaft	Stainless steel EN-X30Cr13
Cable		Rubber, H07RN-F	
Discharge Connection		Hose coupling	





Contributing to World-wide Prosperity and Understanding through Worker- and Environment-friendly Production.

Designed for increased productivity through fully integrated streamlined production systems, Tsurumi's factory in Kyoto (Japan) features a production capacity of a full 1 million pumps per year. Large-scale modern R&D facilities offer optimum conditions for experimenting and testing of even super-large pumps and for developing new products to expand the possibilities and applications of pumps. To provide optimum conditions for our main asset, our workers, as well as for the environment, special emphasis is placed on optimized working conditions with airconditioning, minimized dust and exhaust gas emission, comprehensive recycling and waste recovery.

## Tsurumi (Europe) GmbH

Wahlerstr. 10  
D-40472 Düsseldorf  
Tel.: +49 (0)211-4179373  
Fax: +49 (0)211-417937-480  
Email: [sales@tsurumi.eu](mailto:sales@tsurumi.eu)  
[www.tsurumi.eu](http://www.tsurumi.eu)

We reserve the right to change specifications and designs herein for improvement without prior notice. Our pumps are for professional use only. In the event that Tsurumi (Europe) GmbH have, in exceptional cases taken over, a manufacturer's warranty, this entitles the enduser to assert remedy free of charge against Tsurumi (Europe) GmbH due to any defect to the product occurring during the guarantee period (see below), also then when the warranty claims against the seller do not or no longer exist. In the event of malfunction, which is attributable to the improper handling by the enduser, no guarantee claim shall arise. Further claims shall not result from the warranty, unless if something to the contrary has explicitly been determined. The decision as to whether remedy is effected by way of replacement or repair shall be at the choice of Tsurumi (Europe) GmbH. The claims shall be time barred after a period of three months after expiry of the guarantee period, however, not before expiry of the warranty period which is valid towards the seller. In the event of doubt, the warranty period shall correspond with the warranty period which is valid between the end-user and his seller.



con-Family-EN

