



NKZ 3-phase
50Hz

Pump with agitator
- for professional use

All pumps in this series provide very smooth passage of sandy earth and slime. A forcibly cooled motor ensures long and continuous pump operations exposed to air.



Forced agitation

The agitator installed on the motor shaft extension forcibly agitates the fluid for easy and efficient transmission of sludge and slurry.

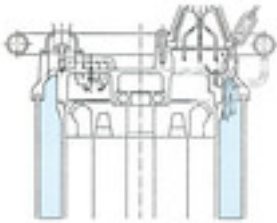


All pumps in this series provide very smooth passage of sandy earth and slime. A forcibly cooled motor ensures long and continuous pump operations exposed to the air. 4-pole motor used to achieve excellent durability and versatility. By offering a cast iron pump body durability is increased over standard aluminium body pumps. Spiral structure, marvelously facilitates the passage of sand, soil, sludge, or slime, without clogging.



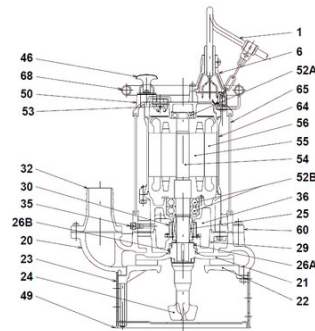
Water jacket

Inner and outer motor casing - flow-through-design - perfect cooling under dry-run-conditions



Components:

001 Cable	036 Lubricant
006 Cable entrance	050 Motor cover
020 Pump casing	052A Upper bearing
021 Impeller	052B Lower bearing
022 Suction plate	053 Motor protector
023 Strainer	054 Shaft
024 Agitator	055 Rotor
025 Mechanical seal	056 Stator
026A Oil sealing	060 Bearing housing
026B Oil sealing	064 Motor casing
029 Oil casing	065 Jacket
032. Outlet	068 Handle
035 Oil plug	

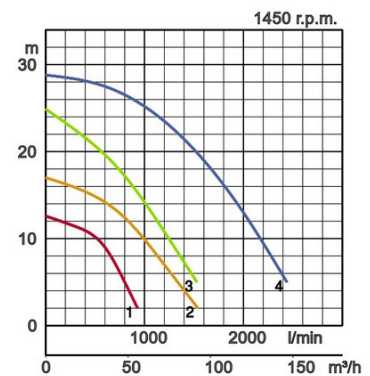


NKZ3-100H

Specifications:

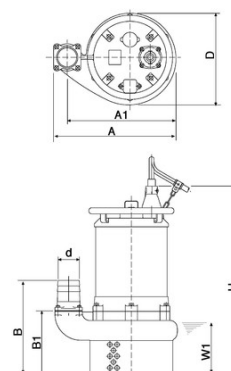
Model	Colour code curve	Bore mm	Motor output kW	Rated current A	Head max. m	Capacity max. l/min	Dry weight kg w/o cable	Max. solid handling ø mm	Pressure resistance max. m	Cable length m
NKZ3-C3	1	80	2,2	5,1	12,6	930	91,0	30	15	20
NKZ3-D3	2	80	3,7	8,0	17,0	1540	100,0	30	15	20
NKZ3-80H	3	80	5,5	12,1	24,9	1530	132,0	20	15	20
NKZ3-100H	4	100	11,0	22,0	28,8	2440	196,0	20	15	20

ø Discharge bore mm		80, 100		
Pumping Fluid	Type of Fluid	Liquids containing sandy mud, Sand carrying water		
	Temperature	0-40°C		
Pump	Components	Impeller	Open type impeller	
		Shaft Seal	Double mechanical seal	
		Bearings	Shielded ball bearings	
	Material	Impeller	Ductile iron casting EN-GJS-700-2, Chromium iron casting	
		Casing	Grey iron casting EN-GJL-200	
		Suction Plate	Grey iron casting EN-GJL-200, Ductile iron casting EN-GJS-700-2	
	Shaft Seal	Silicon carbide in oil bath		
Motor	Motor Protector (built-in)		Circle thermal cut-out	
	Phase / Voltage		3-phase / 400V / 50Hz / d.o.l.	
	Insulation		Insulation class E, Insulation class B	
	Lubrication		Turbine oil (ISO VG32)	
	Type, Poles		Induction motor, 4 poles, IP68	
	Material	Casing	Grey iron casting EN-GJL-150	
Shaft		Stainless steel EN-X30Cr13		
Cable		Rubber, NSSHÖU		
Discharge Connection		Threaded flange/Hose coupling		



Dimensions in mm:

Model	d	A	A1	B	B1	D	H	W1
NKZ3-C3	80	467	405	371	249	370	664	225
NKZ3-D3	80	467	405	371	249	370	664	225
NKZ3-80H	80	491	430	387	264	401	754	220
NKZ3-100H	100	547	486	422	284	414	841	240



W1: lowest running water level

In the event of abrasive and corrosive utilization, stronger wear and tear will take place naturally in certain components. In this regard, please pay attention to our website www.tsurumi.eu/english/applications.htm.



Contributing to World-wide Prosperity and Understanding through Worker- and Environment-friendly Production.

Designed for increased productivity through fully integrated streamlined production systems, Tsurumi's factory in Kyoto (Japan) features a production capacity of a full 1 million pumps per year. Large-scale modern R&D facilities offer optimum conditions for experimenting and testing of even super-large pumps and for developing new products to expand the possibilities and applications of pumps. To provide optimum conditions for our main asset, our workers, as well as for the environment, special emphasis is placed on optimized working conditions with airconditioning, minimized dust and exhaust gas emission, comprehensive recycling and waste recovery.

Tsurumi (Europe) GmbH

Wahlerstr. 10
D-40472 Düsseldorf
Tel.: +49 (0)211-4179373
Fax: +49 (0)211-417937-480
Email: sales@tsurumi.eu
www.tsurumi.eu

We reserve the right to change specifications and designs herein for improvement without prior notice. Our pumps are for professional use only. In the event that Tsurumi (Europe) GmbH have, in exceptional cases taken over, a manufacturer's warranty, this entitles the enduser to assert remedy free of charge against Tsurumi (Europe) GmbH due to any defect to the product occurring during the guarantee period (see below), also then when the warranty claims against the seller do not or no longer exist. In the event of malfunction, which is attributable to the improper handling by the enduser, no guarantee claim shall arise. Further claims shall not result from the warranty, unless if something to the contrary has explicitly been determined. The decision as to whether remedy is effected by way of replacement or repair shall be at the choice of Tsurumi (Europe) GmbH. The claims shall be time barred after a period of three months after expiry of the guarantee period, however, not before expiry of the warranty period which is valid towards the seller. In the event of doubt, the warranty period shall correspond with the warranty period which is valid between the end-user and his seller.



com-NKZ-EN